

Sensitive and Standard SCRs, 8A

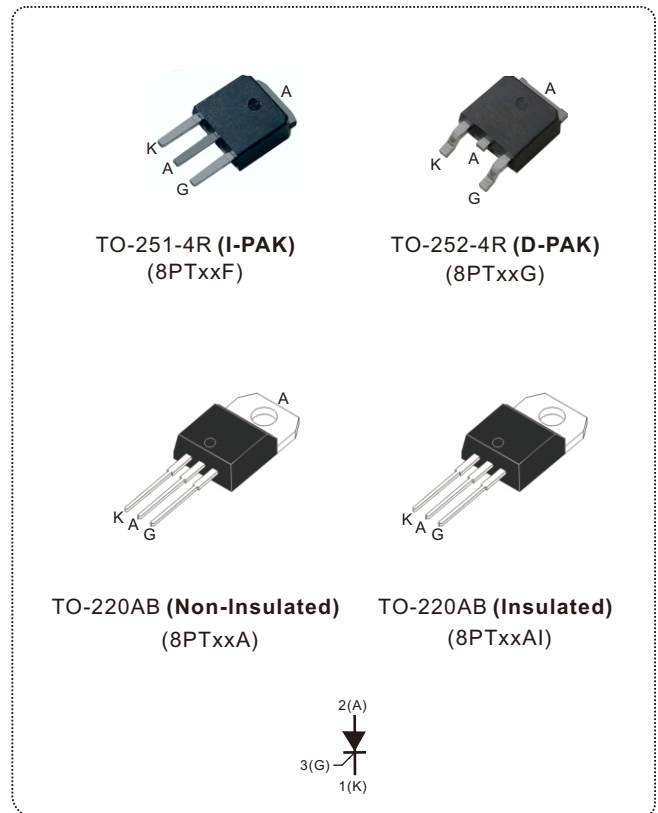
Main Features

Symbol	Value	Unit
$I_{T(RMS)}$	8	A
V_{DRM}/V_{RRM}	600 to 1000	V
I_{GT}	0.2 to 15	mA

DESCRIPTION

Available either in sensitive or standard gate triggering levels, the 8A SCR series is suitable to fit all modes of control found in applications such as overvoltage crowbar protection, motor control circuits in power tools and kitchen aids, inrush current limiting circuits, capacitive discharge ignition and voltage regulation circuits.

Available in through-hole or surface-mount packages, they provide an optimized performance in a limited space.



ABSOLUTE MAXIMUM RATINGS					
PARAMETER	SYMBOL	TEST CONDITIONS		VALUE	UNIT
RMS on-state current full sine wave (180° conduction angle)	$I_{T(RMS)}$	TO-251-4R/TO-252-4R/TO-220AB	$T_c=110^{\circ}C$	8	A
		TO-220AB insulated	$T_c=100^{\circ}C$		
Average on-state current (180° conduction angle)	$I_{T(AV)}$	TO-251-4R/TO-252-4R/TO-220AB	$T_c=110^{\circ}C$	5.1	A
		TO-220AB insulated	$T_c=100^{\circ}C$		
Non repetitive surge peak on-state current (full cycle, T_j initial = 25°C)	I_{TSM}	F = 50 Hz	t = 20 ms	95	A
		F = 60 Hz	t = 16.7 ms	100	
I ² t Value for fusing	I ² t	t _p = 10 ms		45	A ² s
Critical rate of rise of on-state current $I_G = 2xI_{GT}$, t _r ≤ 100ns	di/dt	F = 60 Hz	T _j = 125°C	50	A/μs
Peak gate current	I _{GM}	T _p = 20 μs	T _j = 125°C	4	A
Average gate power dissipation	P _{G(AV)}	T _j = 125°C		1	W
Storage temperature range	T _{stg}			- 40 to + 150	°C
Operating junction temperature range	T _j			- 40 to + 125	

STANDARD ELECTRICAL SPECIFICATIONS ($T_J = 25^\circ\text{C}$ unless otherwise specified)						
SYMBOL	TEST CONDITIONS			8PTxxxx		Unit
				T	-	
I_{GT}	$V_D = 12\text{ V}, R_L = 30\Omega$		Min.	0.5	2	mA
			Max.	5	15	
V_{GT}			Max.	1.3		V
V_{GD}	$V_D = V_{DRM}, R_L = 3.3\text{K}\Omega$	$T_J = 125^\circ\text{C}$	Min.	0.2		V
I_H	$I_T = 100\text{ mA}, \text{gate open}$		Max.	25	30	mA
I_L	$I_G = 1.2 I_{GT}$		Max.	30	70	mA
dV/dt	$V_D = 67\% V_{DRM}, \text{gate open}$	$T_J = 125^\circ\text{C}$	Min.	50	150	V/ μs
V_{TM}	$I_{TM} = 16\text{A}, t_p = 380\ \mu\text{s}$	$T_J = 25^\circ\text{C}$	Max.	1.6		V
V_{to}	Threshold voltage		Max.	0.85		V
R_d	Dynamic resistance		Max.	46		m Ω
I_{DRM} I_{RRM}	$V_{DRM} = V_{RRM}$		Max.	$T_J = 25^\circ\text{C}$	5	μA
				$T_J = 125^\circ\text{C}$	1	mA

SENSITIVE ELECTRICAL CHARACTERISTICS ($T_J = 25^\circ\text{C}$ unless otherwise specified)						
SYMBOL	TEST CONDITIONS			8PTxxxx-S	Unit	
I_{GT}	$V_D = 12\text{ V}, R_L = 140\Omega$		Max.	200	μA	
V_{GT}			Max.	0.8	V	
V_{GD}	$V_D = V_{DRM}, R_L = 3.3\text{K}\Omega, R_{GK} = 220\Omega$	$T_J = 125^\circ\text{C}$	Min.	0.1		
V_{RG}	$I_{RG} = 10\ \mu\text{A}$		Min.	8		
I_H	$I_T = 50\text{ mA}, R_{GK} = 1\text{ K}\Omega$		Max.	5		
I_L	$I_G = 1\text{ mA}, R_{GK} = 1\text{ K}\Omega$		Max.	6		
dV/dt	$V_D = 67\% V_{DRM}, R_{GK} = 220\Omega$	$T_J = 125^\circ\text{C}$	Min.	5		
V_{TM}	$I_{TM} = 16\text{A}, t_p = 380\ \mu\text{s}$	$T_J = 25^\circ\text{C}$	Max.	1.6		
V_{to}	Threshold voltage		Max.	0.85		
R_d	Dynamic resistance		Max.	46		
I_{DRM} I_{RRM}	$V_{DRM} = V_{RRM}, R_{GK} = 220\Omega$		Max.	$T_J = 25^\circ\text{C}$	5	μA
				$T_J = 125^\circ\text{C}$	1	mA

THERMAL RESISTANCE					
SYMBOL	Parameter		VALUE	UNIT	
$R_{th(j-c)}$	Junction to case (DC)		IPAK/DPAK/TO-220AB	1.3	$^\circ\text{C/W}$
			TO-220AB insulated	4.6	
$R_{th(j-a)}$	Junction to ambient (DC)	S = 0.5 cm ²	D-PAK	70	$^\circ\text{C/W}$
			I-PAK	100	
			TO-220AB, TO-220AB insulated	60	

S=Copper surface under tab

PRODUCT SELECTOR					
PART NUMBER	VOLTAGE (xx)			SENSITIVITY	PACKAGE
	600 V	800 V	1000 V		
8PTxxA-S/8PTxxAI-S	V	V	V	200 μ A	TO-220AB
8PTxxA-T/8PTxxAI-T	V	V	V	0.5~5 mA	TO-220AB
8PTxxA/8PTxxAI	V	V	V	2~15 mA	TO-220AB
8PTxxF-S	V	V	V	200 μ A	I-PAK
8PTxxF-T	V	V	V	0.5~5 mA	I-PAK
8PTxxF	V	V	V	2~15 mA	I-PAK
8PTxxG-S	V	V	V	200 μ A	D-PAK
8PTxxG-T	V	V	V	0.5~5 mA	D-PAK
8PTxxG	V	V	V	2~15 mA	D-PAK

ORDERING INFORMATION					
ORDERING TYPE	MARKING	PACKAGE	WEIGHT	BASE Q'TY	DELIVERY MODE
8PTxxA-y	8PTxxA-y	TO-220AB	2.0g	50	Tube
8PTxxAI-y	8PTxxAI-y	TO-220AB (insulated)	2.3g	50	Tube
8PTxxF-y	8PTxxF-y	TO-251-4R(I-PAK)	0.40g	80	Tube
8PTxxG-y	8PTxxG-y	TO-252-4R(D-PAK)	0.38g	80	Tube

Note: xx = voltage, y = sensitivity

ORDERING INFORMATION SCHEME	
<p>8 PT 06 AI - S</p>	<p>Current 8 = 8A, $I_{T(RMS)}$</p> <p>SCR series</p> <p>Voltage Code 06 = 600V 08 = 800V 10 = 1000V</p> <p>Package type A = TO-220AB (non-insulated) AI = TO-220AB (insulated) F = TO-251-4R (IPAK) G = TO-252-4R (DPAK)</p> <p>I_{GT} Sensitivity S = 70~200 μA T = 0.5~5 mA Blank = 2~15 mA</p>

Fig.1 Maximum average power dissipation versus average on-state current

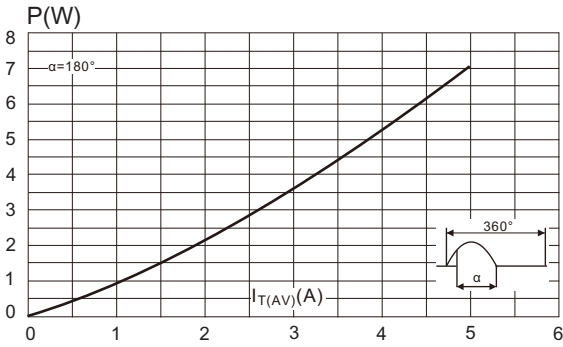


Fig.2 Average and DC on-state current versus case temperature

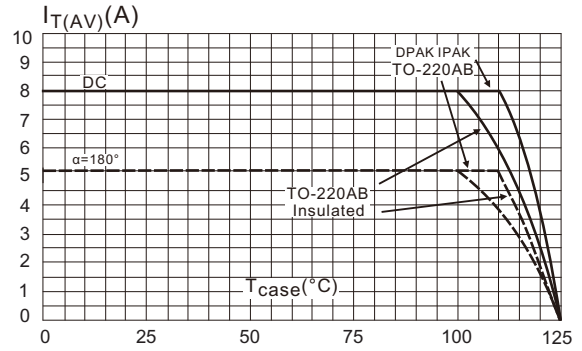


Fig.3 Average and DC on-state current versus ambient temperature

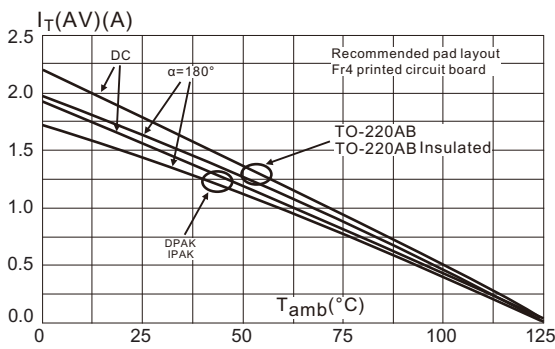


Fig.4 Relative variation of thermal impedance junction to case versus pulse duration

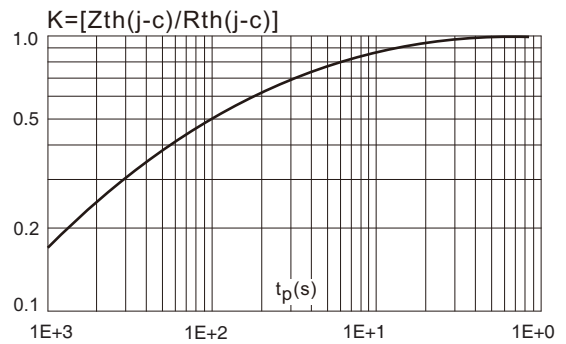


Fig.5 Relative variation of thermal impedance junction to ambient versus pulse duration

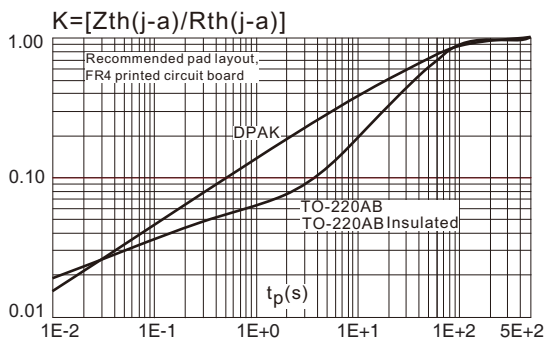


Fig.6 Relative variation of gate trigger current and holding current versus junction temperature for I_GT=200µA

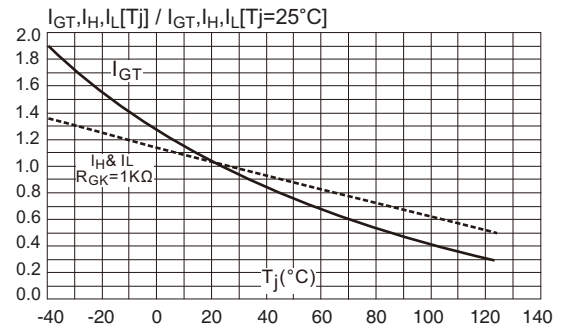


Fig.7 Relative variation of gate trigger and holding current versus junction temperature

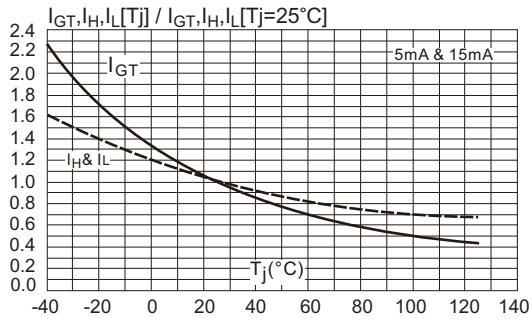


Fig.8 Relative variation of holding current versus gate-cathode resistance (typical values)

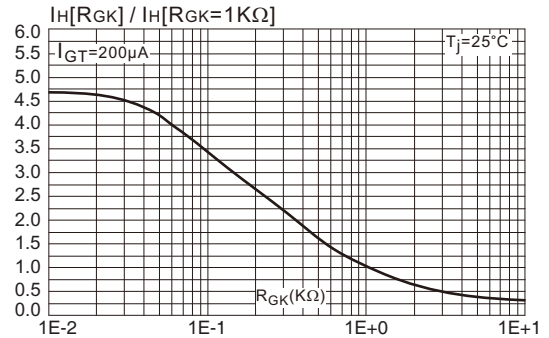


Fig.9 Relative variation of dV/dt immunity versus gate-cathode resistance (typical values) for I_G=200μA

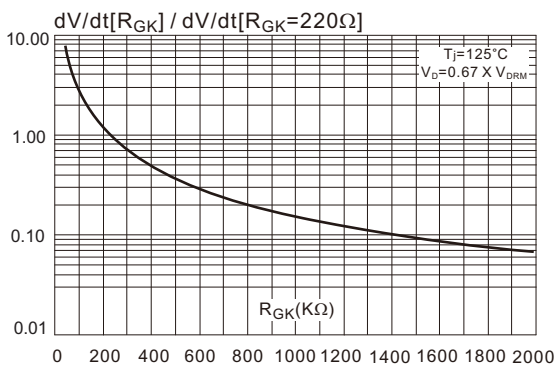


Fig.10 Relative variation of dV/dt immunity versus gate-cathode capacitance (typical values) for I_G=200μA

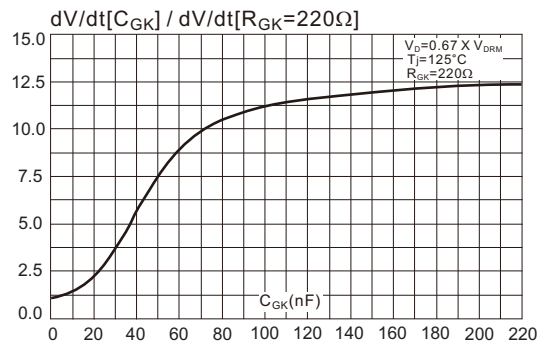


Fig.11 Surge peak on-state current versus number of cycles

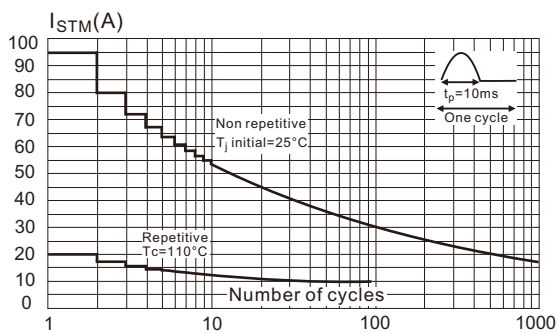


Fig.12 Non-repetitive surge peak on-state current and corresponding values of I²t

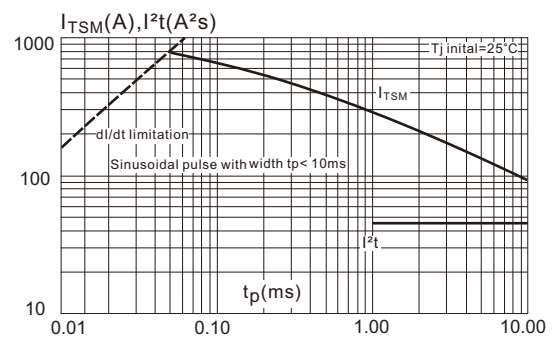


Fig.13 On-state characteristics (maximum values)

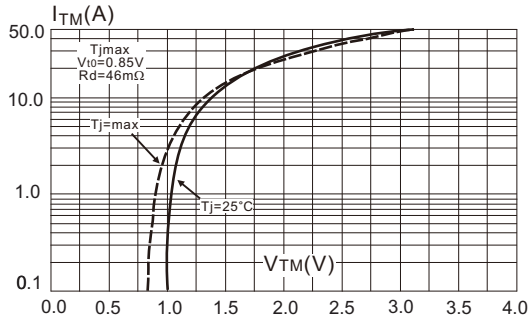
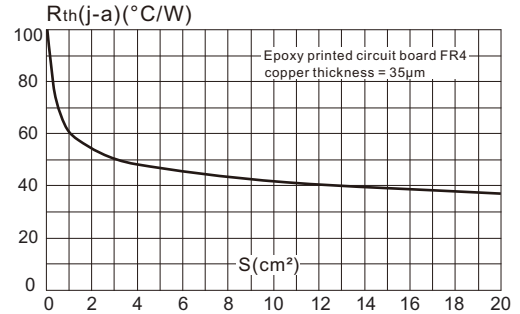
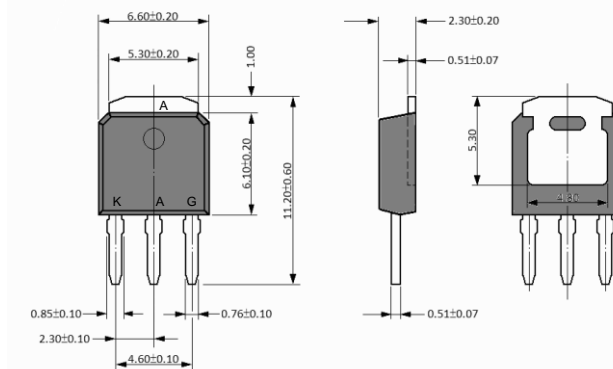


Fig.14 Thermal resistance junction to ambient versus copper surface under tab (DPAK)

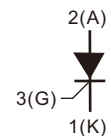
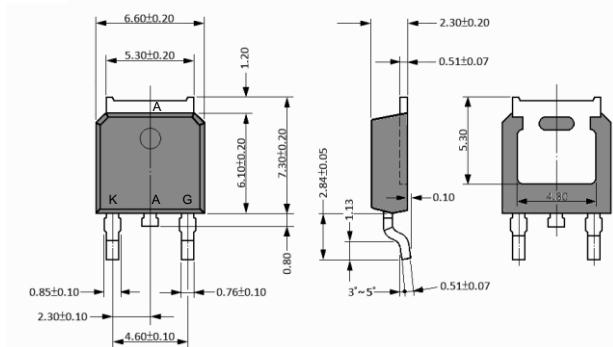


Case Style

**TO-251-4R
(I-PAK)**

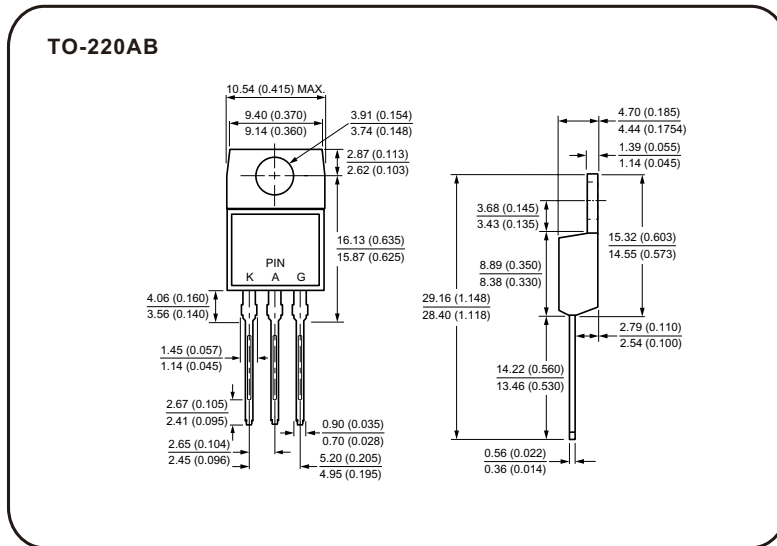


**TO-252-4R
(D-PAK)**



All dimensions in millimeters(inches)

Case Style



All dimensions in millimeters(inches)

